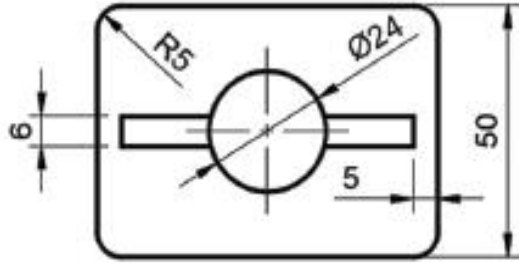
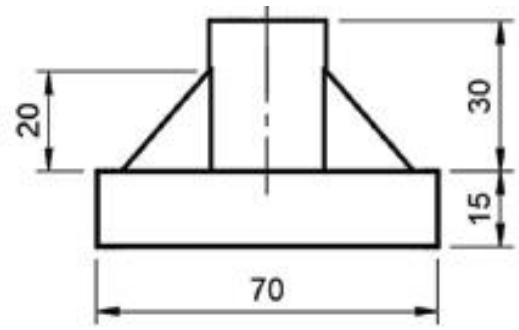
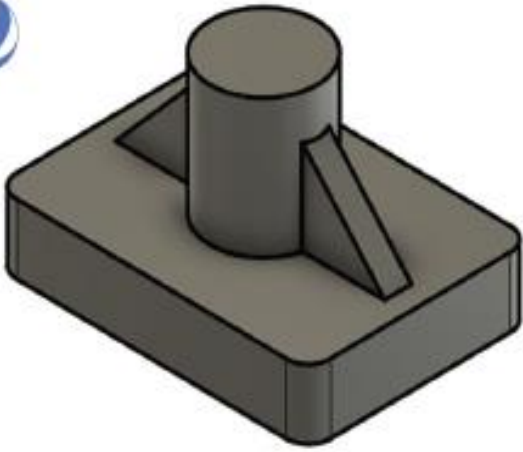
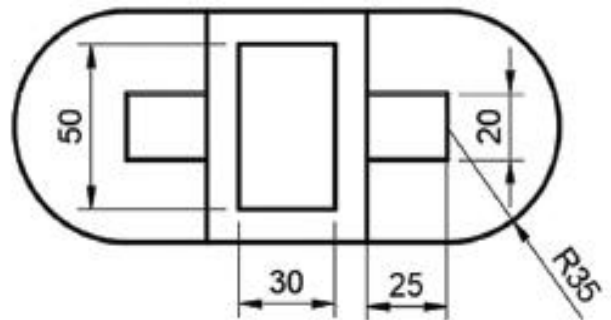
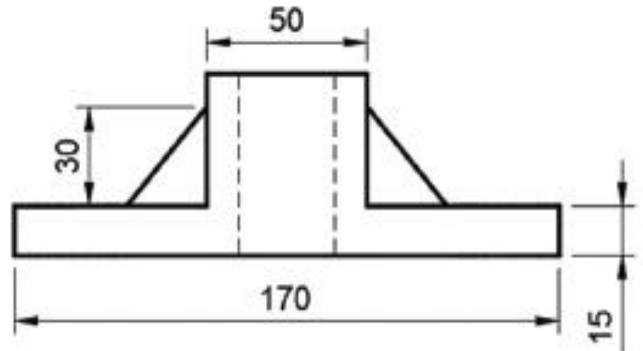
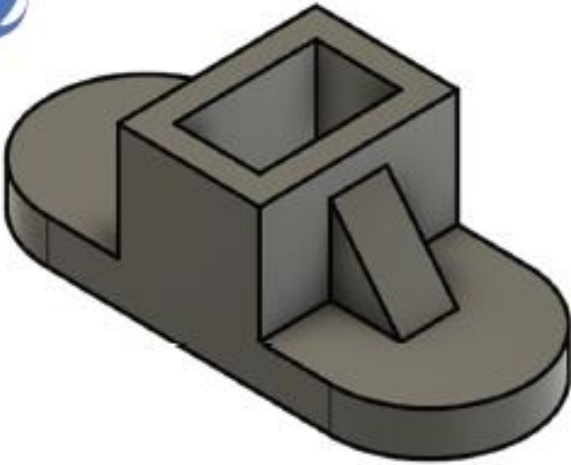


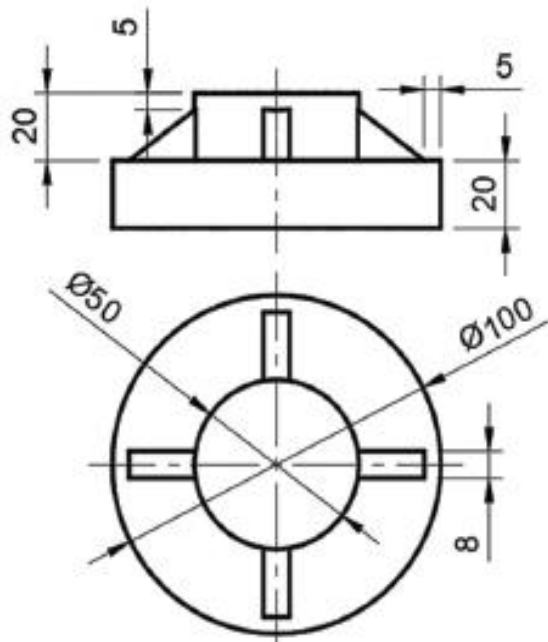
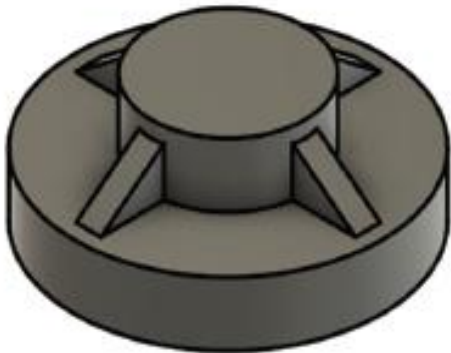
19



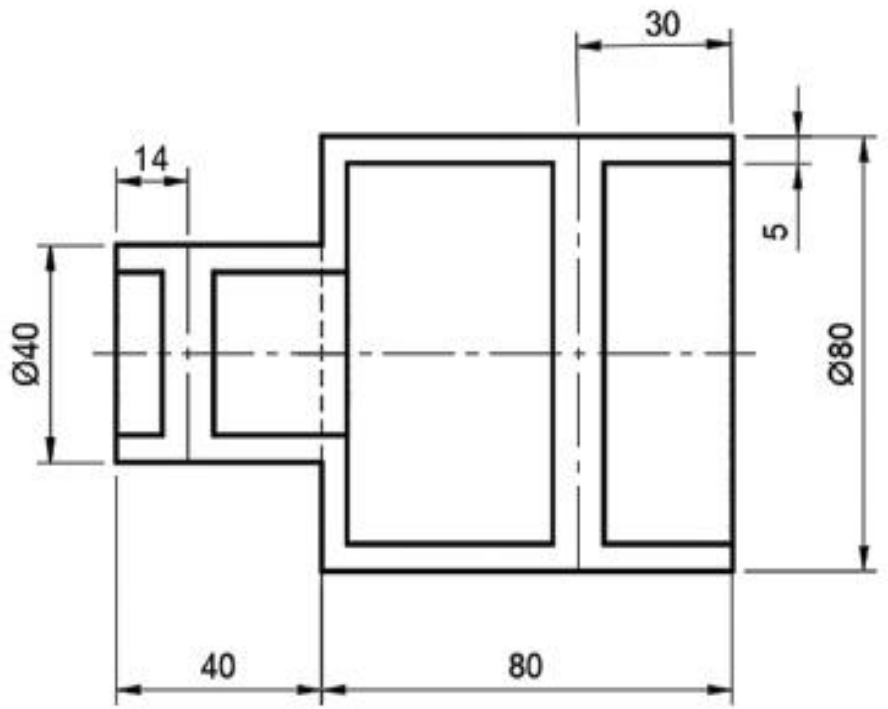
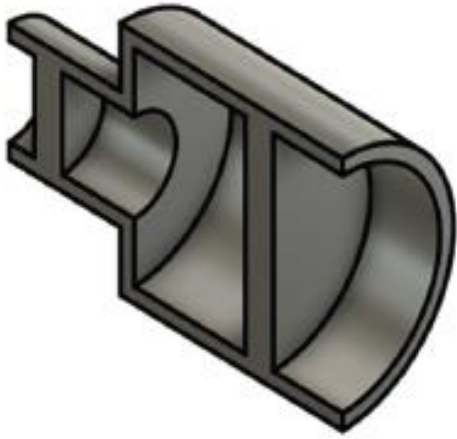
20



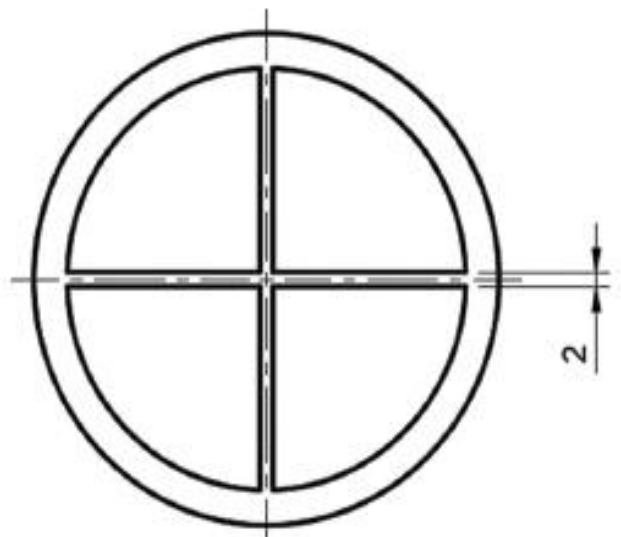
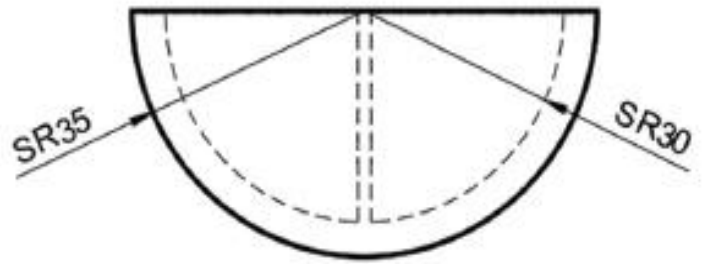
21



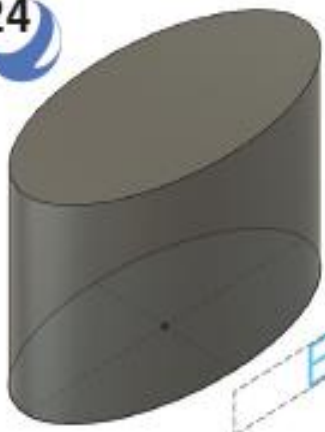
22



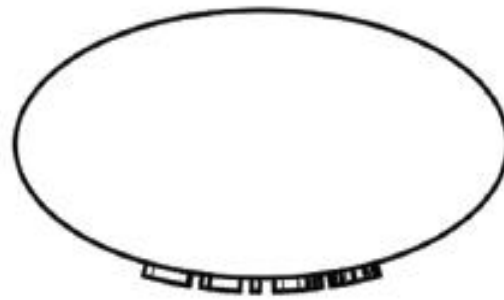
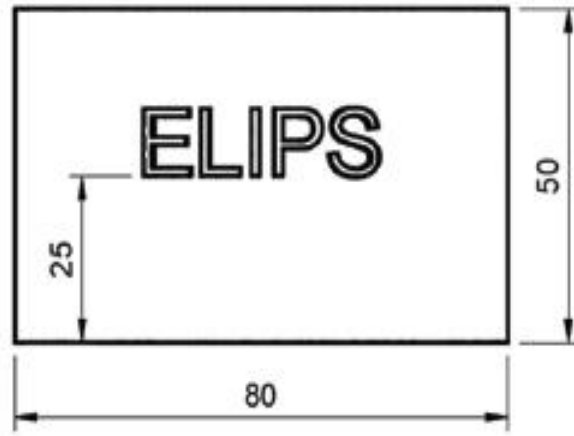
23



24



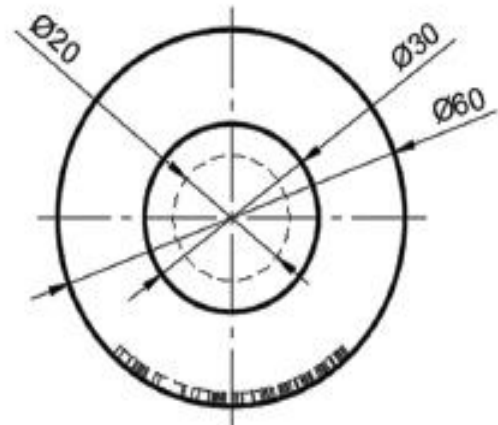
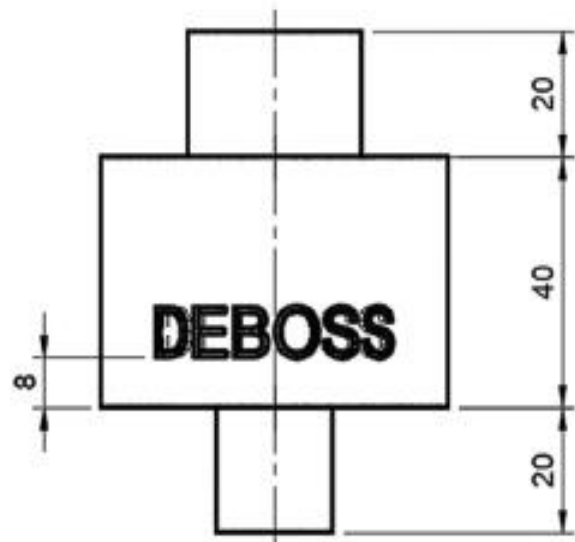
ELIPS



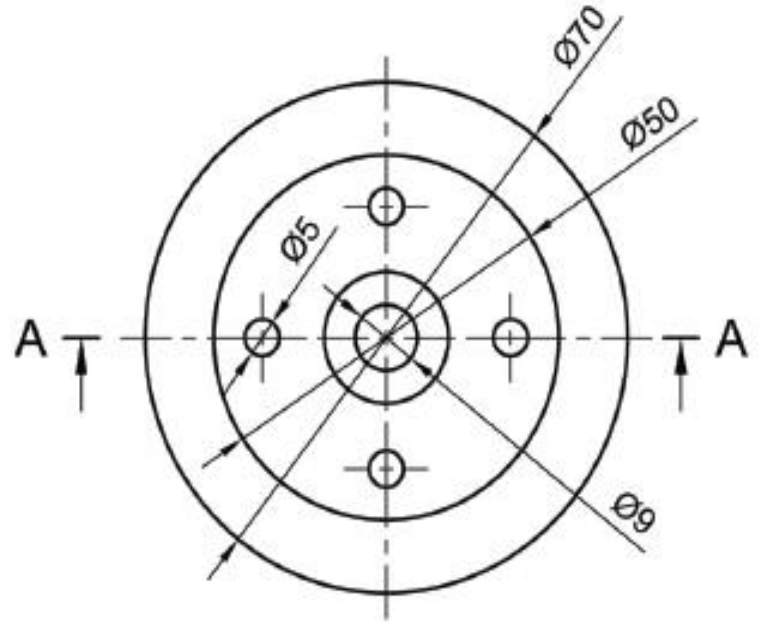
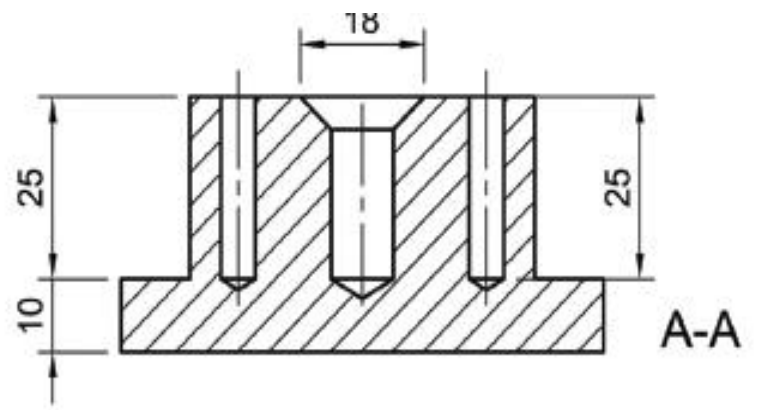
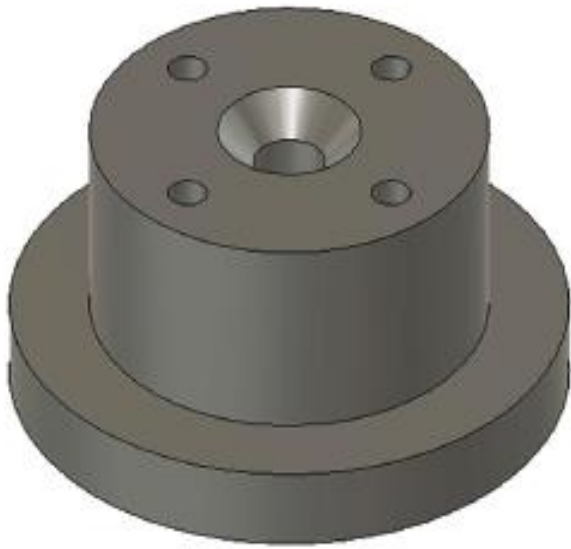
25



DEBOSS



26



27

